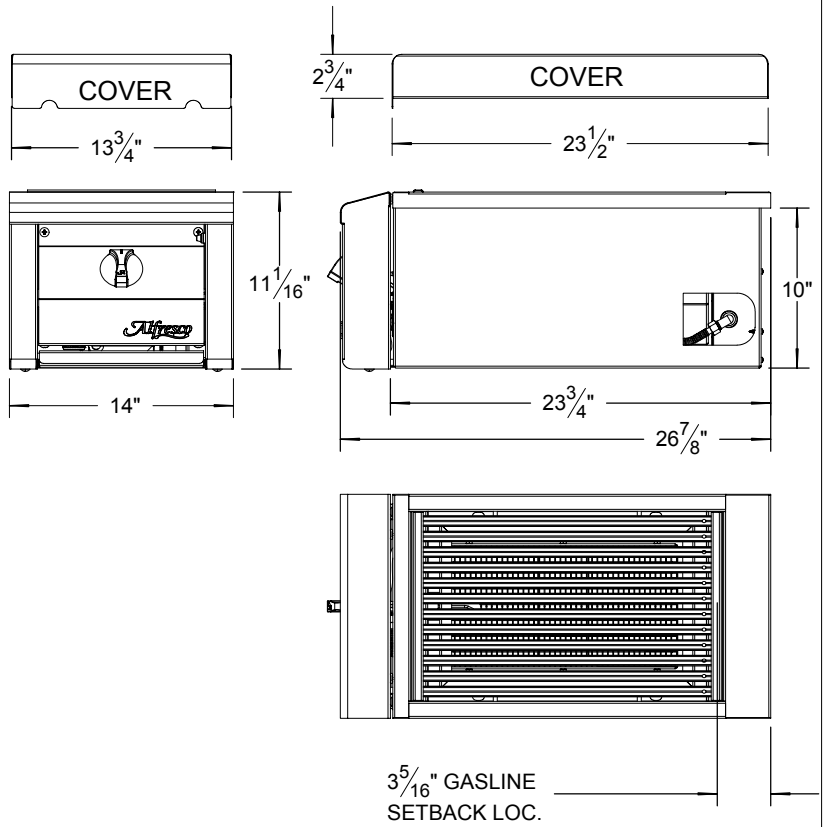


**AGSZ TYPICAL INSTALLATION**

**AGSZ - SEAR-ZONE™ SIDE BURNER**



**COUNTERTOP CUTOUT REQUIREMENTS**

**NOTE 1:**  
A GAS LINE IS REQUIRED INSIDE THE COUNTER FOR OPERATION.  
IT IS RECOMMENDED THAT A FLEXIBLE GAS LINE IS USED TO EASE INSTALLATION IN NATURAL GAS (NG) SETUPS.  
(SEE NOTE 2 IN REGARDS TO LP SETUPS)

